

2011

## Power of a Nation

James Parker  
*Southern Methodist University*

Seth Dennis  
*Southern Methodist University*

Joseph Esau  
*Southern Methodist University*

Robin Hood  
*Southern Methodist University*

Brett Legrow  
*Southern Methodist University*

*See next page for additional authors*

Follow this and additional works at: [https://scholar.smu.edu/big\\_ideas\\_2011\\_spring](https://scholar.smu.edu/big_ideas_2011_spring)

---

### Recommended Citation

Parker, James; Dennis, Seth; Esau, Joseph; Hood, Robin; Legrow, Brett; Qu, Zewen; Smith, Connor; and Swagerty, Corbin, "Power of a Nation" (2011). *Big iDeas 2011 Spring Updates*. 4.  
[https://scholar.smu.edu/big\\_ideas\\_2011\\_spring/4](https://scholar.smu.edu/big_ideas_2011_spring/4)

This document is brought to you for free and open access by the Big iDeas 2011 at SMU Scholar. It has been accepted for inclusion in Big iDeas 2011 Spring Updates by an authorized administrator of SMU Scholar. For more information, please visit <http://digitalrepository.smu.edu>.

---

**Authors**

James Parker, Seth Dennis, Joseph Esau, Robin Hood, Brett Legrow, Zewen Qu, Connor Smith, and Corbin Swagerty



# **POWER OF A NATION™**

**James Parker**

**Seth Dennis**

**Joseph Esau**

**Robin Hood**

**Brett Legrow**

**Zewen Qu**

**Connor Smith**

**Corbin Swaggerty**

# Outline

- **Initial Approach**
- **Proving the Concept**
- **New Directions & Current Design**
- **Future & Strategy**





# Initial Approach

- **Rising trends:**

- Going Green**

- Need to save \$\$\$**

- Living Healthy**

**\*\*Create a green workout machine that makes people want to work out, while they create electricity.\*\***



# **Proving the Concept**

- **Basics of the Machine**
- **Total Design- \$300**
- **The Results: 10 mW Output-  
flickering LED**



# New Directions

- **The Constraint: Conservation of Energy**
- **Implementing our concept in developing nations**

# Current Design

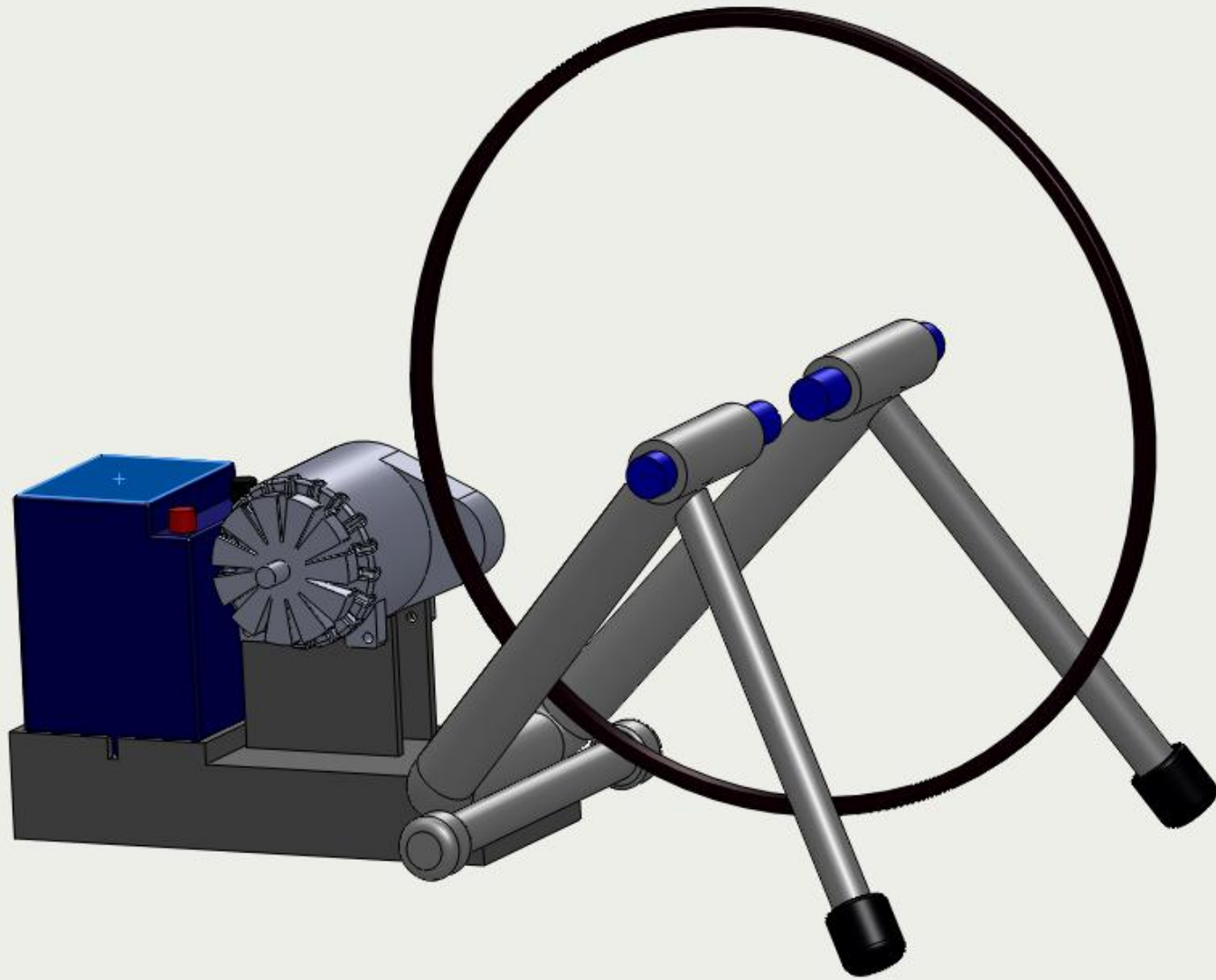


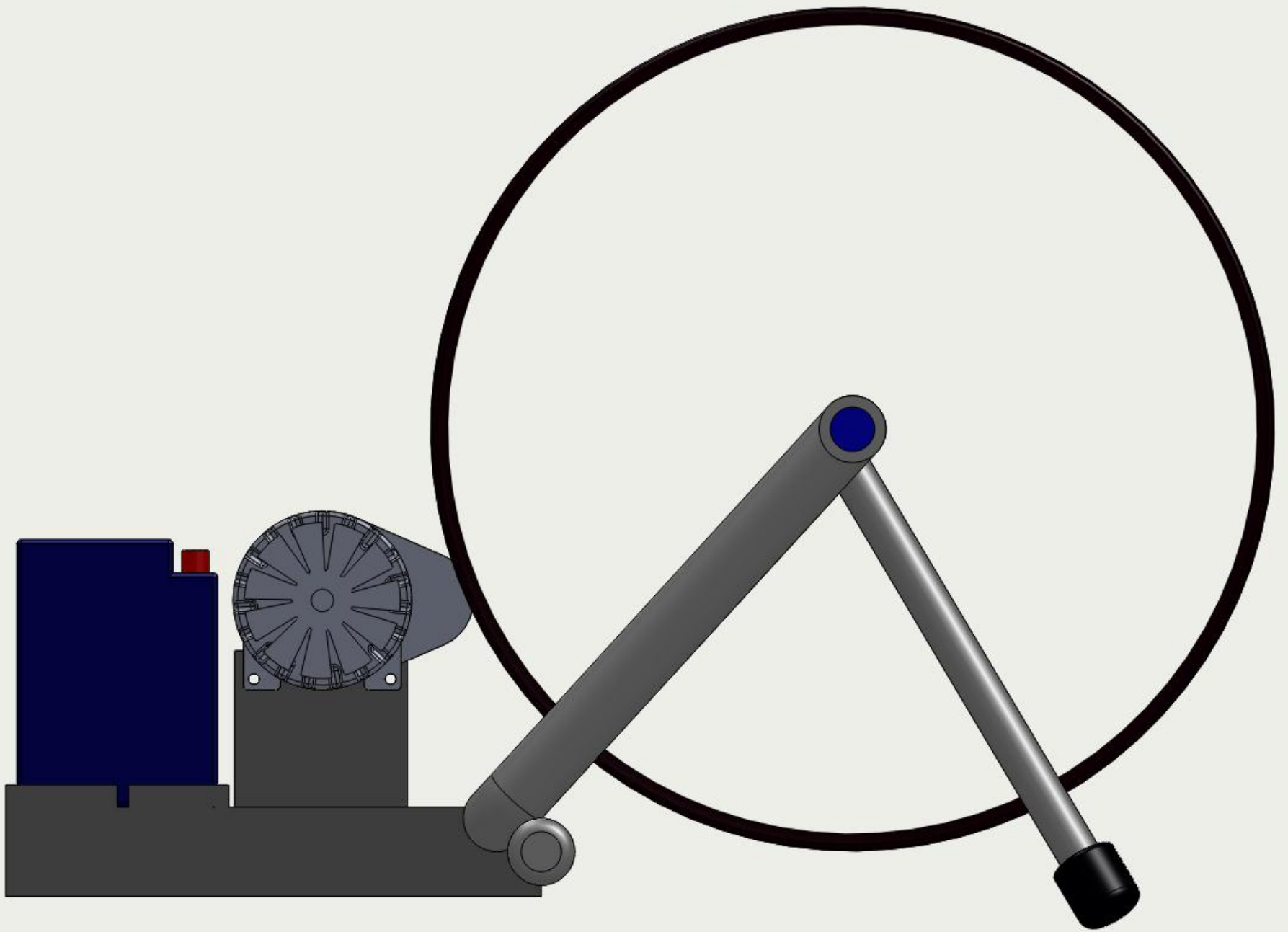
**1. Portability, Efficiency, and Cost Effectiveness**

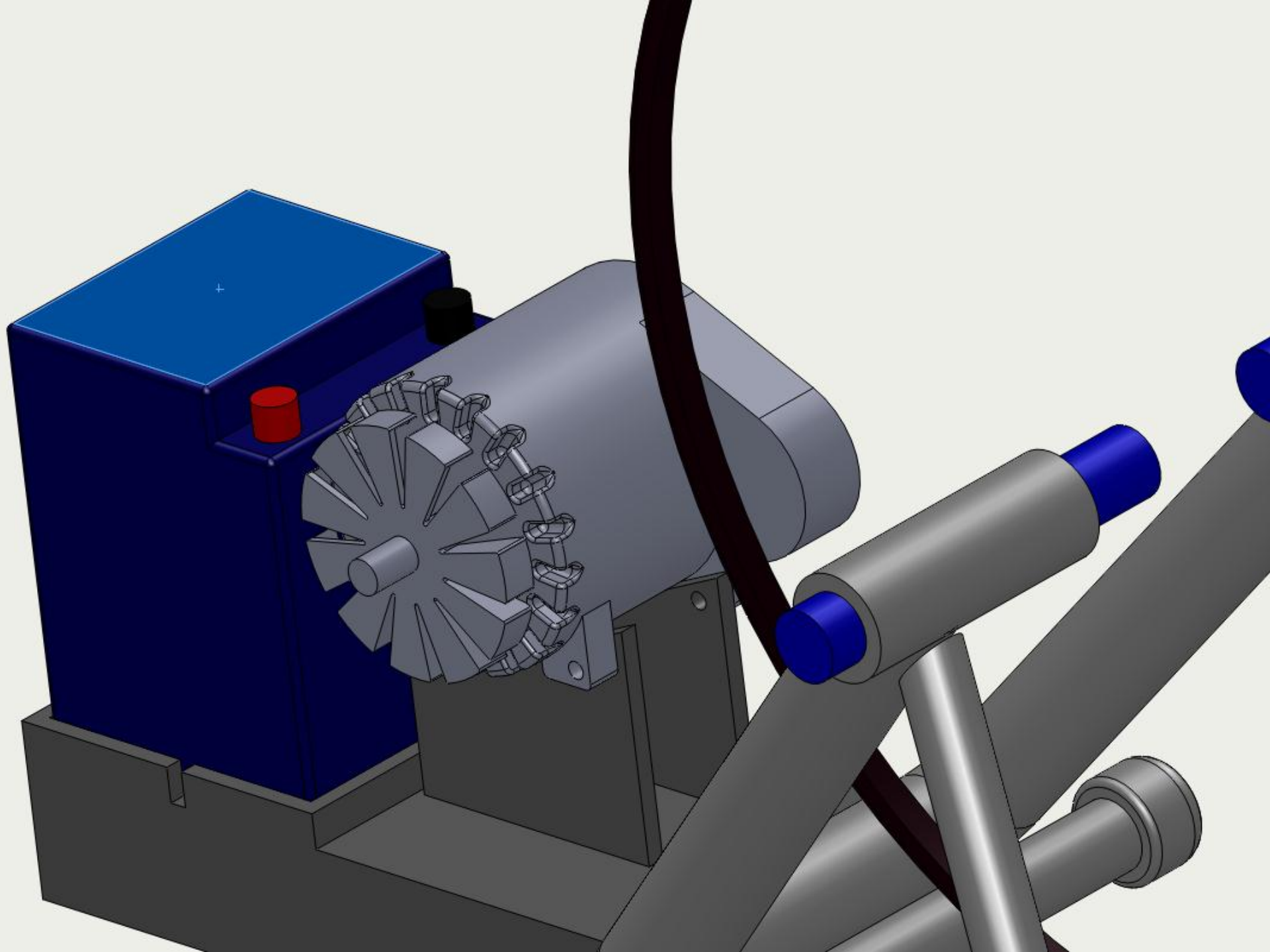
**2. Current design to move on to prototype**

**3. Empirical data**











# **Future and Strategy**

A tall, precarious stack of houses on stilts, representing a complex and risky future or strategy. The houses are stacked on top of each other, with some on stilts, and are connected by a network of thin, vertical lines. The entire structure is rendered in a light green, semi-transparent style, giving it a ghostly or ethereal appearance. The houses are of various sizes and styles, some with multiple stories, and are arranged in a way that suggests a dense, interconnected community or a complex system. The background is white, which makes the green structure stand out.

- **Three step process**

## **Current Actions**

- **Networking**
- **Collaboration**
- **Microfinance**